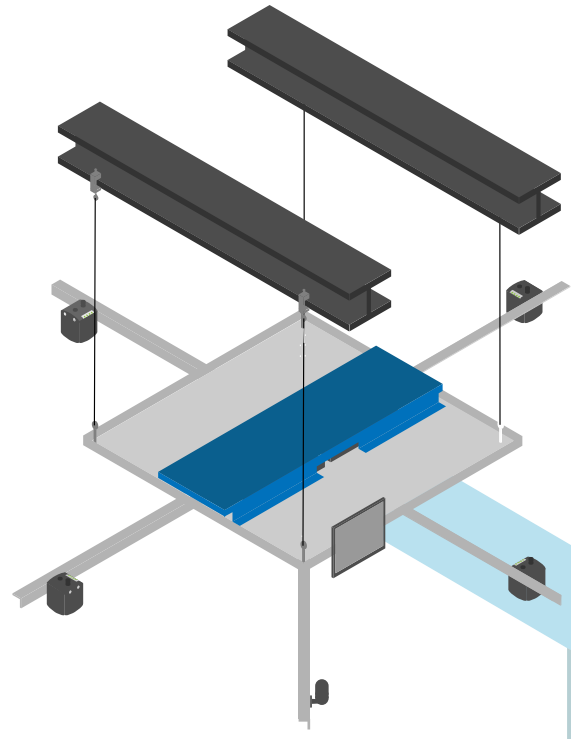
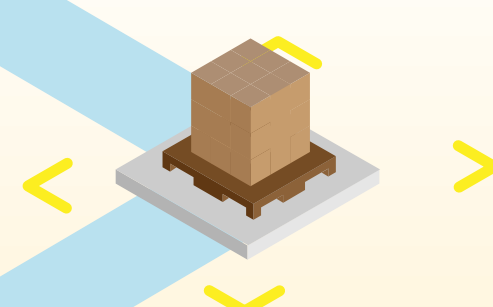


WHERE TO INSTALL YOUR DIMENSIONER FOR MAXIMUM EFFICIENCY

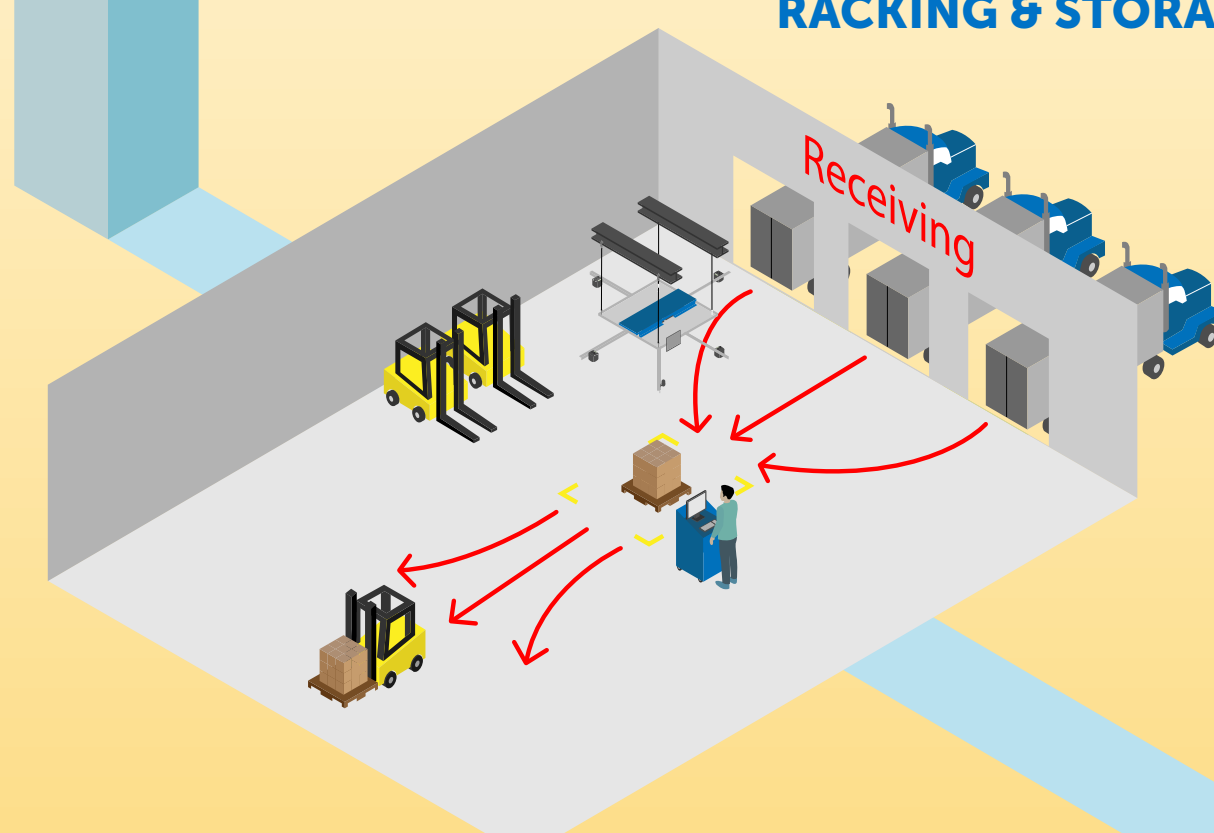


HANG YOUR DIMENSIONER FROM THE CEILING OR BRACE IT TO A WALL IF POSSIBLE. THIS KEEPS YOUR UNIT AWAY FROM THE CONSTANT FLOW OF FLOOR & FORKLIFT TRAFFIC.

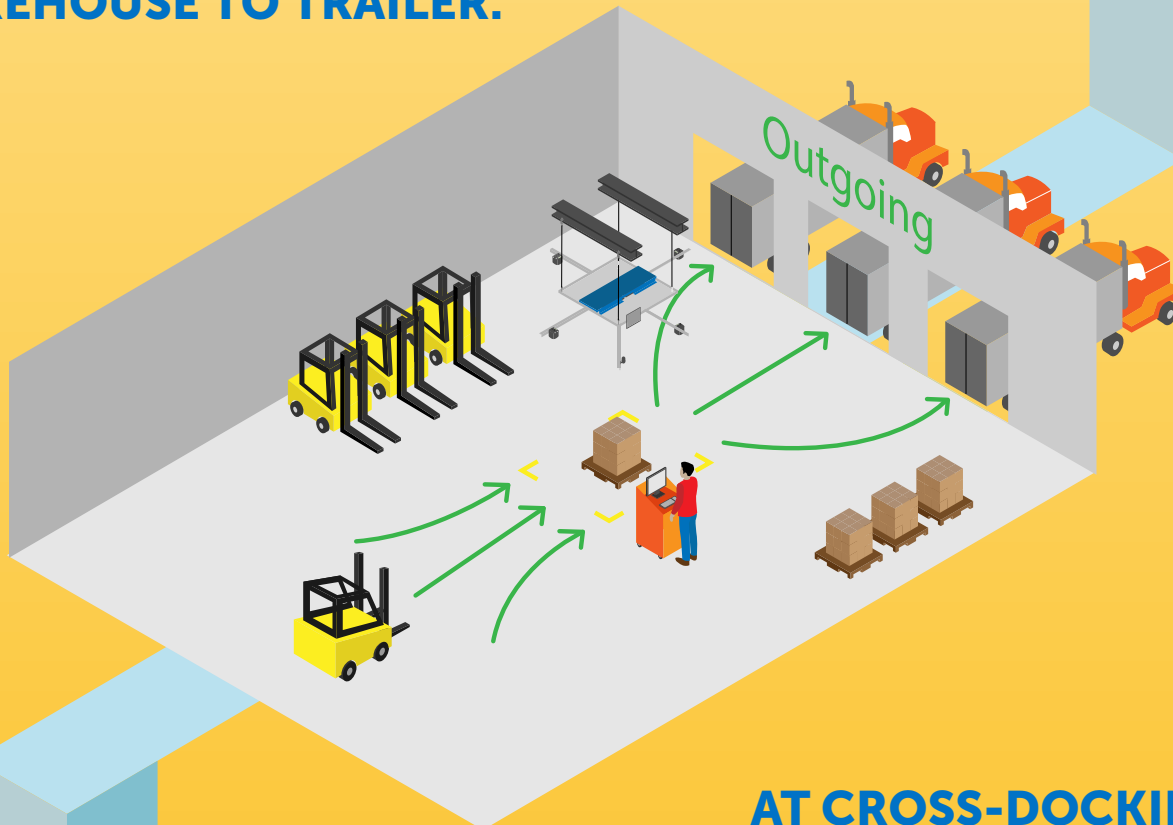
NEED TO CAPTURE WEIGHT? INSTALL YOUR DIMENSIONER OVER A FLOOR SCALE OR INTEGRATE IT WITH FORKLIFT SCALES. THIS LETS YOU WEIGH & MEASURE IN ONE STEP.



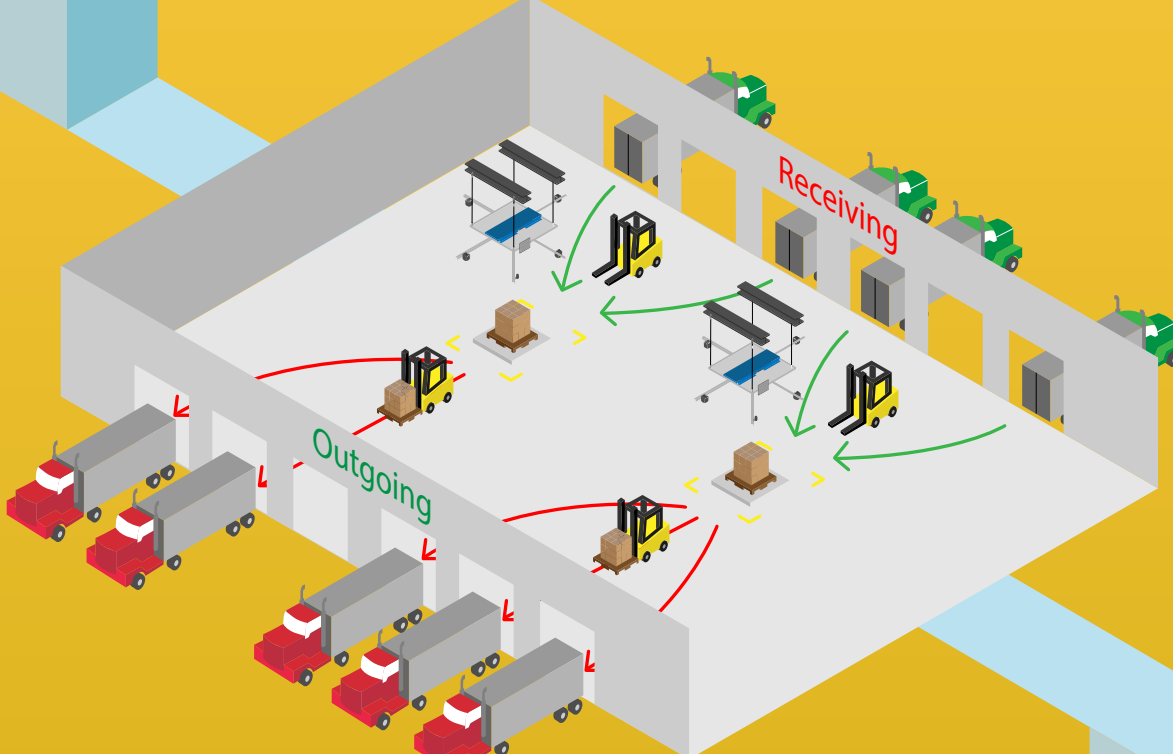
FOR QUICK WAREHOUSE RECEIVING, INSTALL DIMENSIONERS NEAR INBOUND DOORS. INTEGRATE DATA WITH YOUR WMS TO IMPROVE RACKING & STORAGE.



IN SHIPPING OPERATIONS, INSTALL DIMENSIONERS NEAR OUTBOUND DOORS OR STAGING AREAS FOR A QUICK TRANSITION FROM WAREHOUSE TO TRAILER.



AT CROSS-DOCKING FACILITIES, SPREAD DIMENSIONERS ACROSS THE MIDDLE OF YOUR TERMINAL TO PROMOTE EFFICIENT TRAFFIC FLOW DURING PEAK HOURS.



NO MATTER WHICH KIND OF OPERATION YOU RUN, ENSURE CLEAR ACCESS TO THE UNIT FROM AT LEAST TWO SIDES TO AVOID CONGESTION.



WHAT'S THE OPTIMAL SETUP FOR YOUR BUSINESS?

ASK US AT SALES@FREIGHTSNAP.COM